

Wine Stand Assembly Instructions

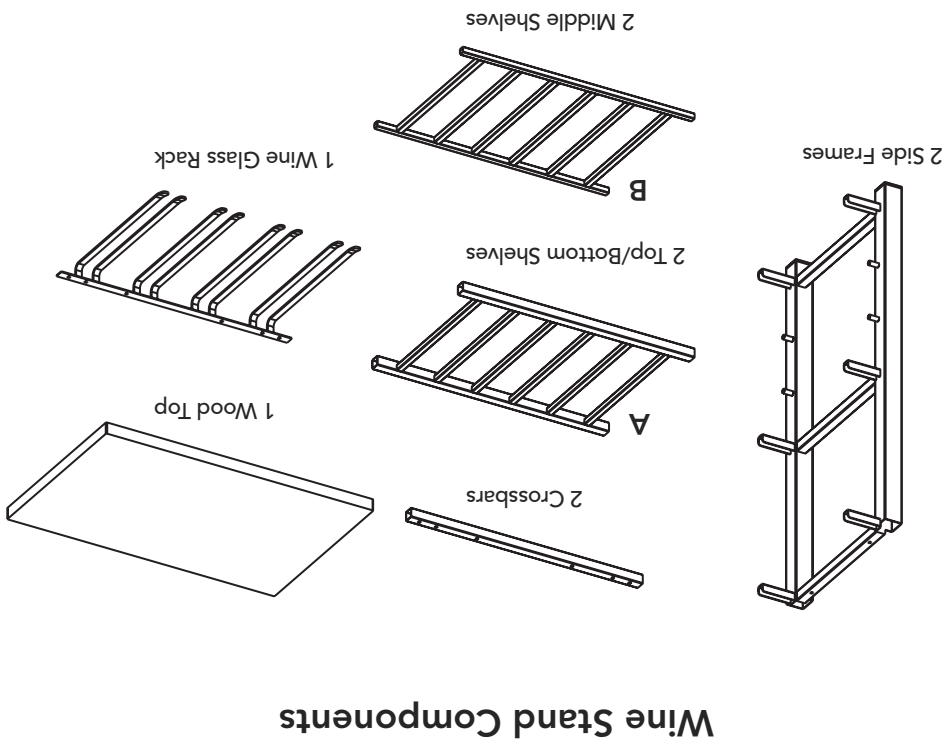
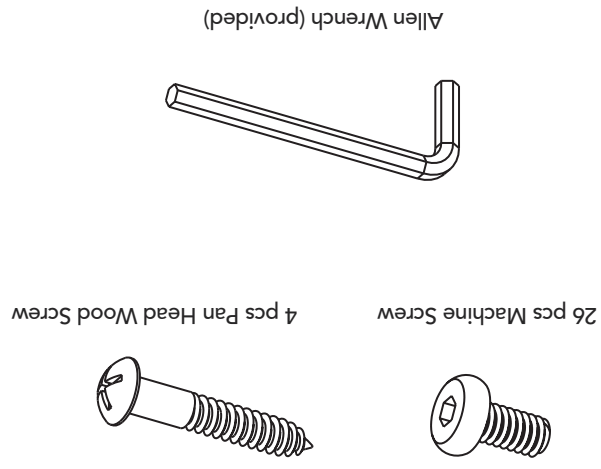
Thank you for purchasing the Wine Stand – the perfect accessory for the skybar™ Wine System.

This page lists all the contents included in this package. Please take a moment before you begin to identify the hardware and the individual components of this product.

Tips for assembly:

1. As you unpack and prepare to assemble the Wine Stand, place the contents on a carpeted or padded area to protect them from damage.
2. You will need a Phillips screwdriver to complete assembly (not included).
3. We highly recommend that two people are available to align the shelves and to safely lift the Wine Stand to its upright position.

Wine Stand Screws & Tools



WINE STAND
for skybar™
WINE SYSTEM



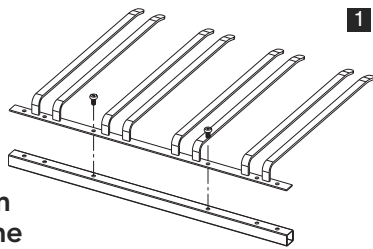
© 2008 Sunbeam Products, Inc. doing business as Jarden Consumer Solutions. All rights reserved. Distributed by Sunbeam Products, Inc. doing business as Jarden Consumer Solutions, Boca Raton, Florida 33431.

1-888-skybar9
www.skybarhome.com
Model No. WA1000
Printed in China.
SPR-061708
Part No. 125246

Wine Stand Assembly Instructions

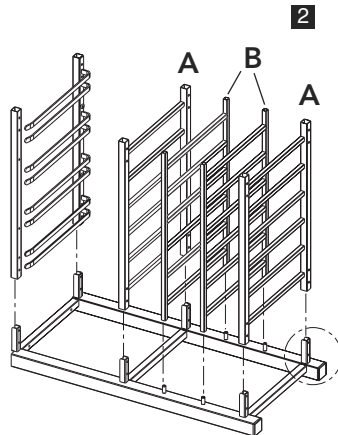
Step 1 – Attach Wine Glass Rack to Crossbar

- Attach the **Wine Glass Rack** to (1) of the **Crossbars** using (2) **Machine Screws**. (oriented as shown in Diagram 1). Use two middle holes.
- Tighten the **Machine Screws** with the **Allen Wrench**.



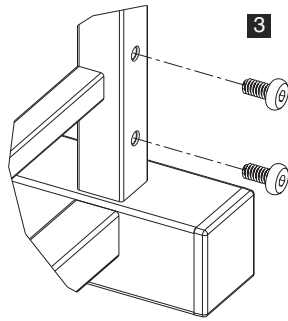
Step 2 – Attach Crossbars, Top/Bottom Shelves & Center Shelves to Side Frame

- Lay (1) **Side Frame** face down, with the tube fittings facing up (oriented as shown in Diagram 2).
- Slide the (2) **Crossbars** over the large tube fittings at the top of the **Side Frame**, as shown.



Note: the **Crossbar** with the attached **Wine Glass Rack** should be positioned at the back of the **Wine Stand**, with the arms that hold wine glass stems facing the front of the **Wine Stand**.

- Ensure the holes in rails and tube fittings are aligned and face towards the underside of the unit.
- Slide the (2) **Top/Bottom Shelves (A)** over the large tube fittings at the center and bottom positions of the **Side Frame**, as shown.
- Slide the (2) **Middle Shelves (B)** over the smaller pins, as shown.



Step 3 – Loosely Attach Crossbars and Top/Bottom Shelves to Side Frame

- Loosely attach the **Crossbars** and **Top/Bottom Shelves** to the **Side Frame** with (2) **Machine Screws** per rail (as shown in Diagram 3).

Note: Do not fully tighten the screws.

Step 4 – Install 2nd Side Frame

- Connect the remaining **Side Frame** to the (2) **Crossbars** and (4) **Shelves**, putting it in place at a slight angle while carefully fitting pins and tubes into Shelves.

Note: assistance from a second individual may be helpful in completing this step.

- Loosely attach the **Crossbars** and **Top/Bottom Shelves** to the 2nd **Side Frame** using (12) **Machine Screws** (as shown in Diagram 4).

Note: Do not fully tighten the screws.

Step 5 – Lift Wine Stand into Upright Position

- With the assistance of another adult, carefully lift the assembled **Wine Stand** into the upright position.

Step 6 – Tighten all Machine Screws

- Tighten all (24) **Machine Screws** used in steps 2 – 5 with the **Allen Wrench**.

Step 7 – Attach Wood Top to Wine Stand

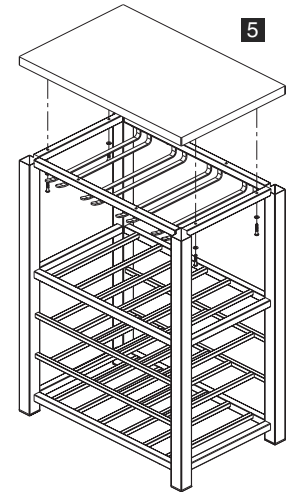
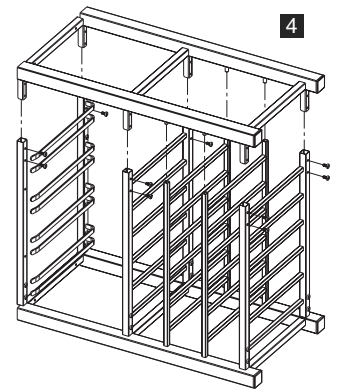
- Place the **Wood Top** into position.
- Insert (4) **Pan Head Wood Screws** through the upper metal bars on the **Side Frames** (as shown in Diagram 5).

Note: carefully align the **Wood Top** with the 4 corner supports of the **Wine Stand** before securing with wood screws.

- Secure the **Wood Top** to the unit using the wood screws with a Phillips head screwdriver.

Assembly is now complete.

Assembled Stand Dimensions:
23.0"(l)x14.74"(d)x30.5"(h)



Wine Stand Care & Cleaning

Clean surfaces with a soft dry or slightly damp cloth. Do not use abrasive cleaners as they may damage the surface. A light duty furniture polish may be used on surfaces.

FAQs

1. How many bottles does the wine rack on the stand accommodate?

The wine rack holds 20 bottles - 5 bottles on each of 4 racks

2. How many glasses will it hold?

The glass rack will hold approximately 12 full size wine glasses, 4 racks, 3 glasses per rack

3. What materials is it made from- metal and wood?

The structural frame and wine racks are made of metal while the top shelf is MDF core with either Wood Veneer (WA1000).

Service and Maintenance

If your Wine System requires service, do not return it to the store where you purchased it. All repairs and replacements must be made by an authorized service center. Please call us at the following toll-free telephone number for service.

U.S. 1-888-SKYBAR9 (1-888-759-2279)

You may also visit our website at skybarhome.com to contact us.

To assist us in serving you, please have the Wine System model number and date purchased available when you call. The model number is located next to the master power switch on the back of the unit.

We welcome your questions, comments or suggestions. In all your communications, please include your complete name, address, telephone number and a description of the problem.

One-Year Limited Warranty

Sunbeam Products, Inc. doing business as Jarden Consumer Solutions or if in Canada, Sunbeam Corporation (Canada) Limited doing business as Jarden Consumer Solutions (collectively "JCS") warrants that for a period of one year from the date of purchase, this product will be free from defects in material and workmanship. JCS, at its option, will repair or replace this product or any component of the product found to be defective during the warranty period. Replacement will be made with a new or remanufactured product or component. If the product is no longer available, replacement may be made with a similar product of equal or greater value. This is your exclusive warranty. Do NOT attempt to repair or adjust any electrical or mechanical functions on this product. Doing so will void this warranty.

This warranty is valid for the original retail purchaser from the date of initial retail purchase and is not transferable. Keep the original sales receipt. Proof of purchase is required to obtain warranty performance. JCS dealers, service centers, or retail stores selling JCS products do not have the right to alter, modify or any way change the terms and conditions of this warranty.

This warranty does not cover normal wear of parts or damage resulting from any of the following: negligent use or misuse of the product, use on improper voltage or current, use contrary to the operating instructions, disassembly, repair or alteration by anyone other than JCS or an authorized JCS service center. Further, the warranty does not cover: Acts of God, such as fire, flood, hurricanes and tornadoes.

What are the limits on JCS's Liability?

JCS shall not be liable for any incidental or consequential damages caused by the breach of any express, implied or statutory warranty or condition.

Except to the extent prohibited by applicable law, any implied warranty or condition of merchantability or fitness for a particular purpose is limited in duration to the duration of the above warranty.

JCS disclaims all other warranties, conditions or representations, express, implied, statutory or otherwise.

JCS shall not be liable for any damages of any kind resulting from the purchase, use or misuse of, or inability to use the product including incidental, special, consequential or similar damages or loss of profits, or for any breach of contract, fundamental or otherwise, or for any claim brought against purchaser by any other party.

Some provinces, states or jurisdictions do not allow the exclusion or limitation of incidental or consequential damages or limitations on how long an implied warranty lasts, so the above limitations or exclusion may not apply to you.

This warranty gives you specific legal rights, and you may also have other rights that vary from province to province, state to state or jurisdiction to jurisdiction.

How to Obtain Warranty Service

If you have any question regarding this warranty or would like to obtain warranty service, please call 1-888-SKYBAR9 or 1-888-759-2279 and a convenient service center address will be provided to you.

In the U.S.A., this warranty is offered by Sunbeam Products, Inc. doing business as Jarden Consumer Solutions located in Boca Raton, Florida 33431. In Canada, this warranty is offered by Sunbeam Corporation (Canada) Limited doing business as Jarden Consumer Solutions, located at 20 B Hereford Street, Brampton, Ontario L6Y 0M1. If you have any other problem or claim in connection with this product, please write our Consumer Service Department.

PLEASE DO NOT RETURN THIS PRODUCT TO ANY OF THESE ADDRESSES OR TO THE PLACE OF PURCHASE.